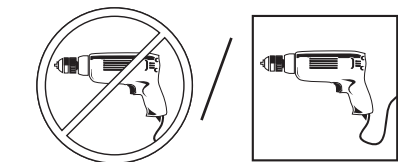


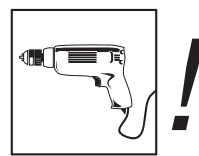
4-13



4-13 / 4-12+14



4-13

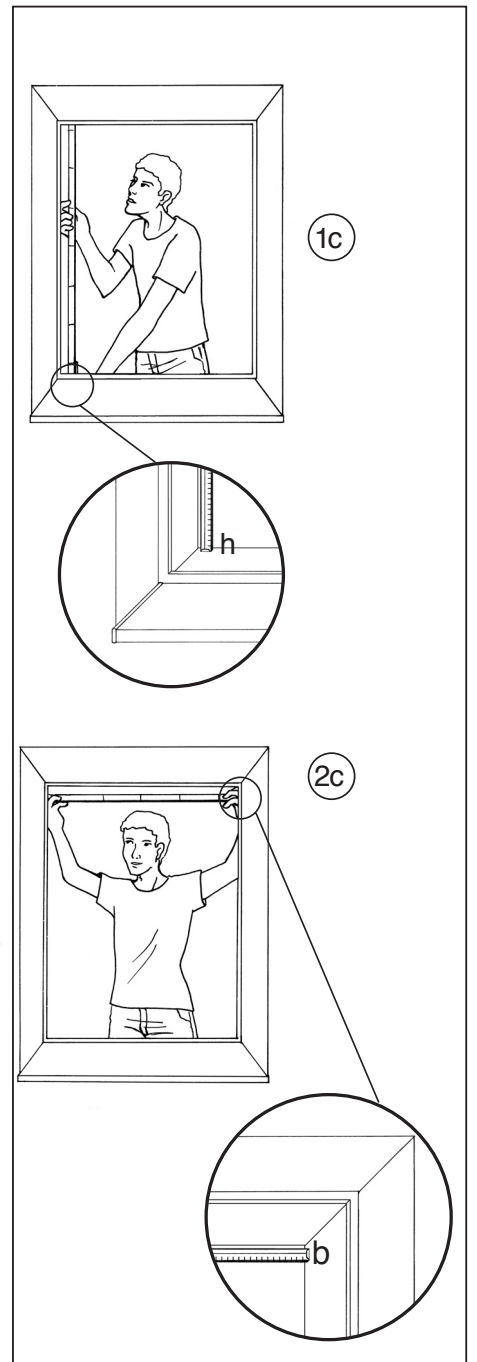
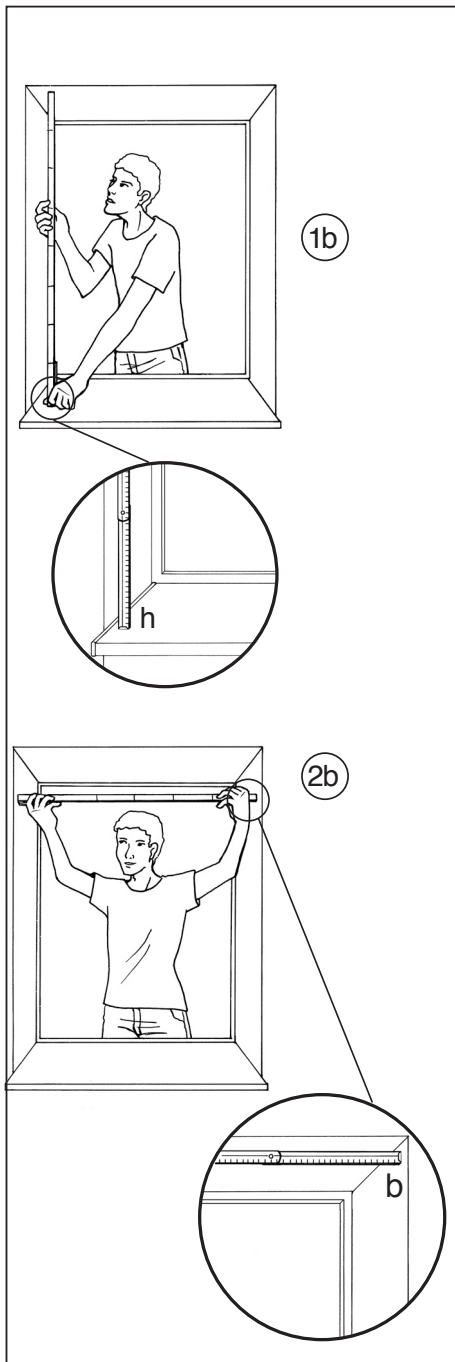
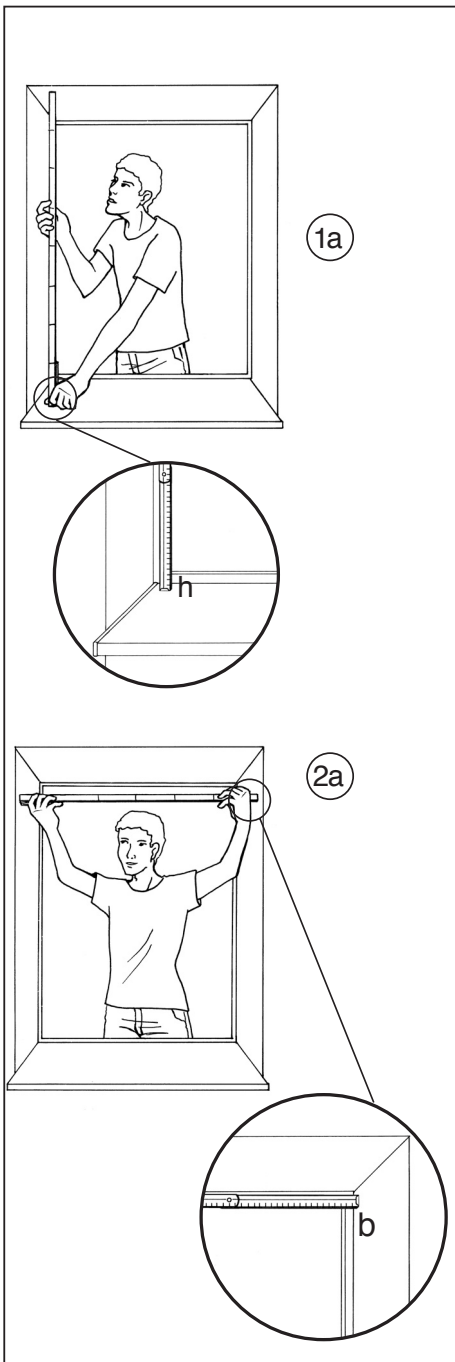
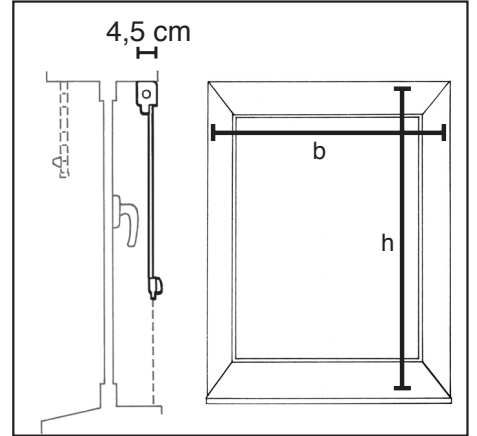
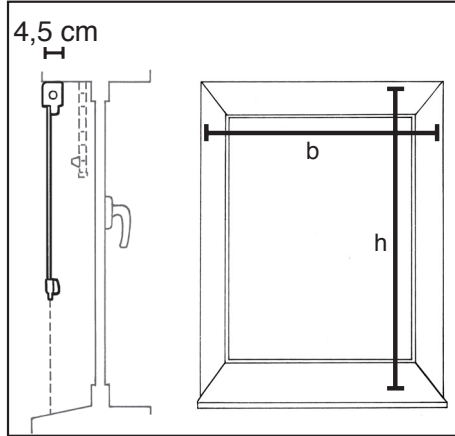
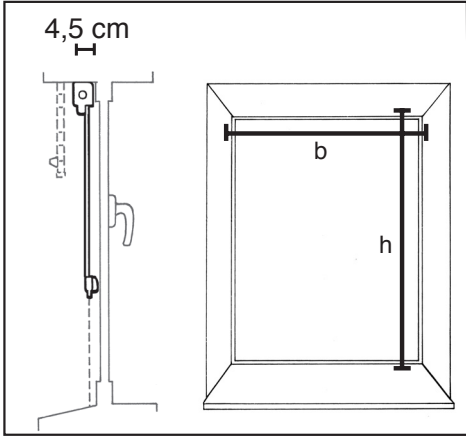


4-12+14

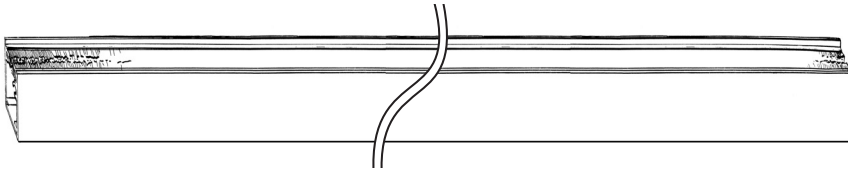
A

B

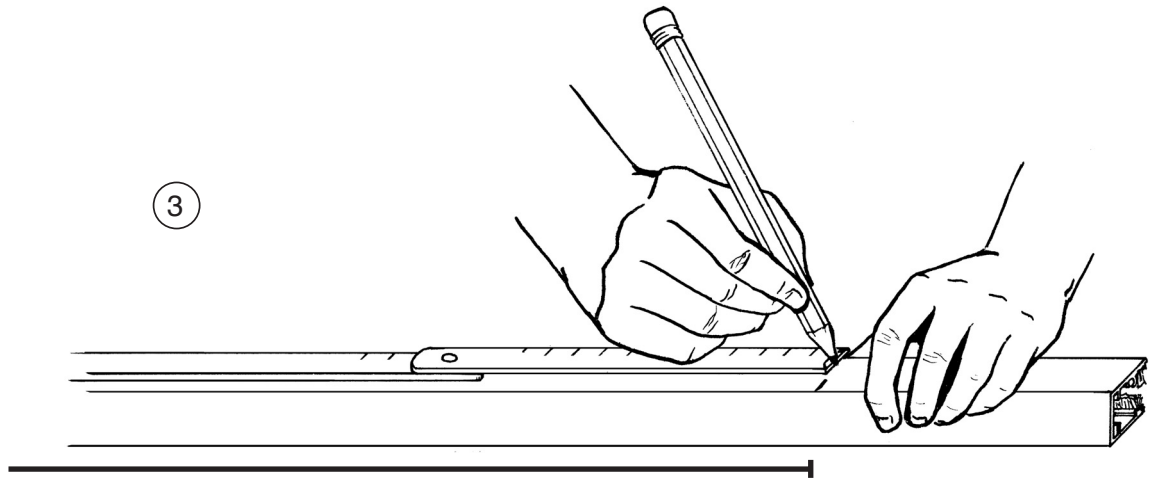
C



2x

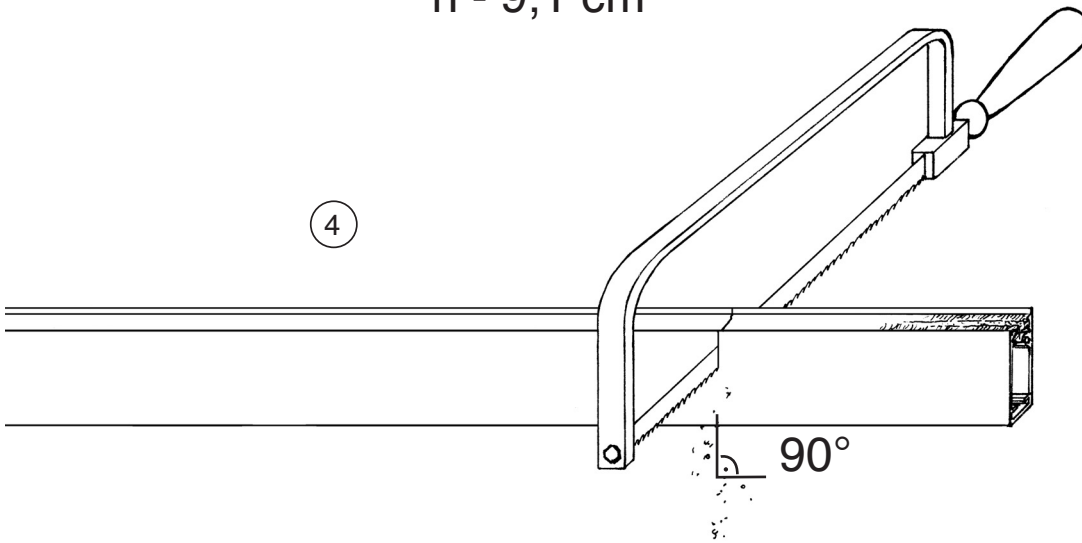


3

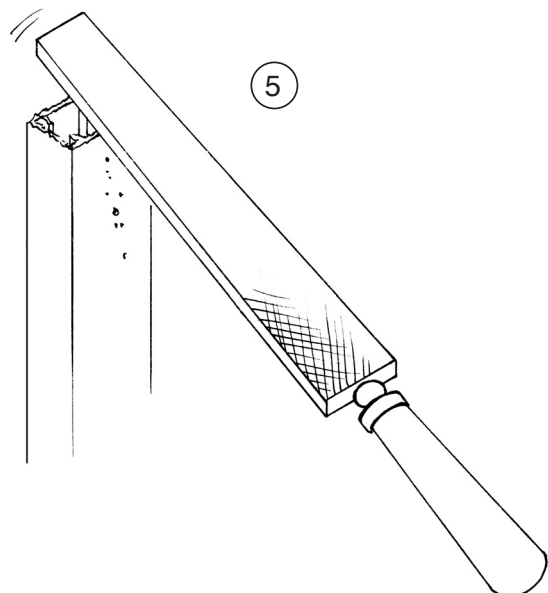
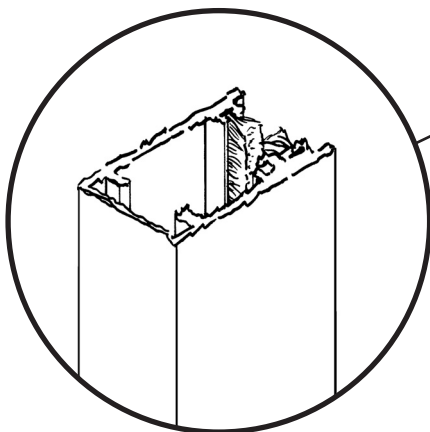


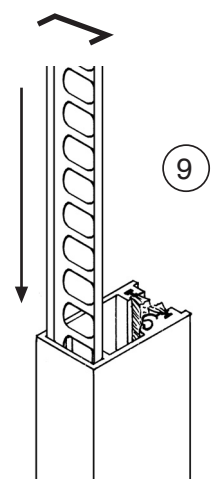
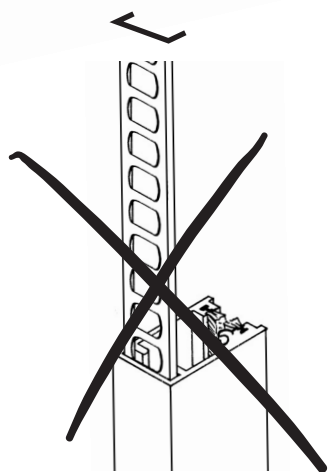
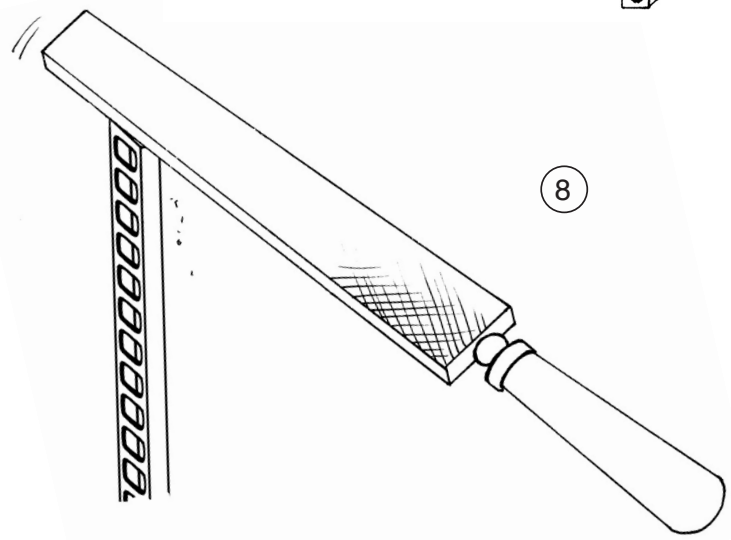
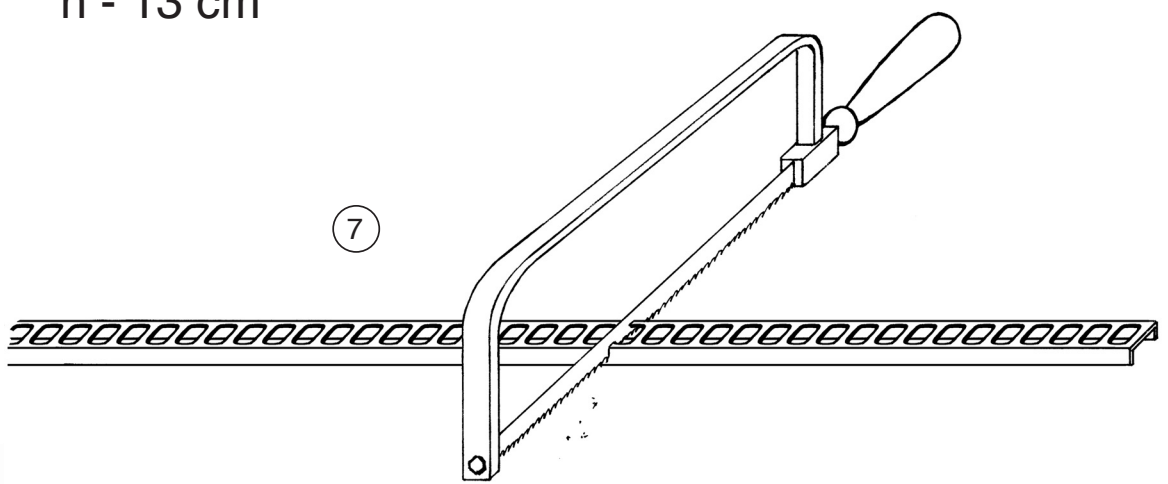
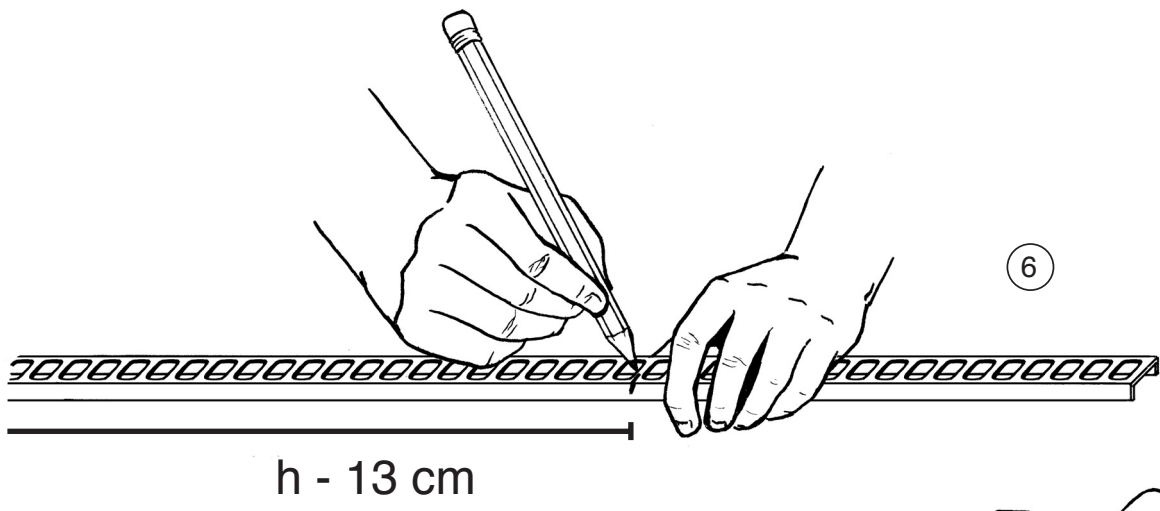
h - 9,1 cm

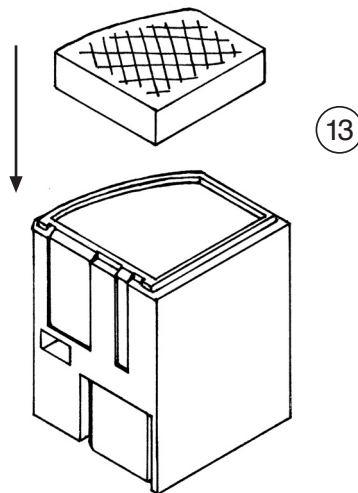
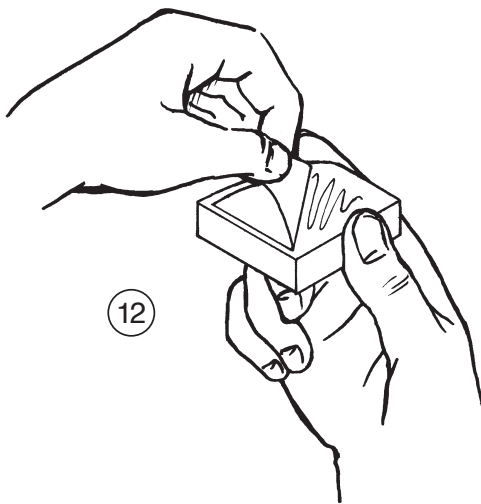
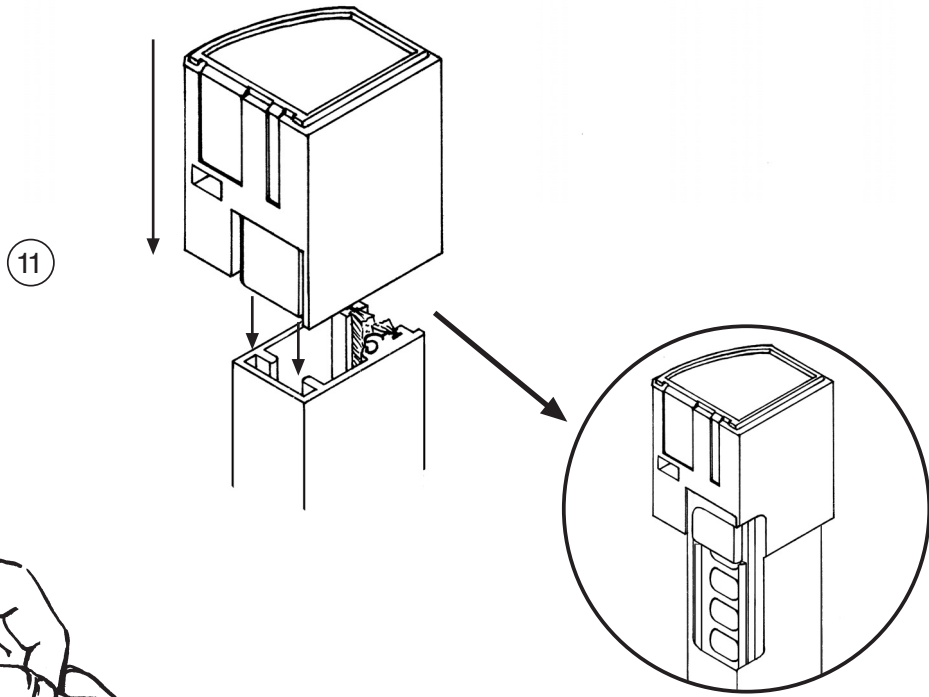
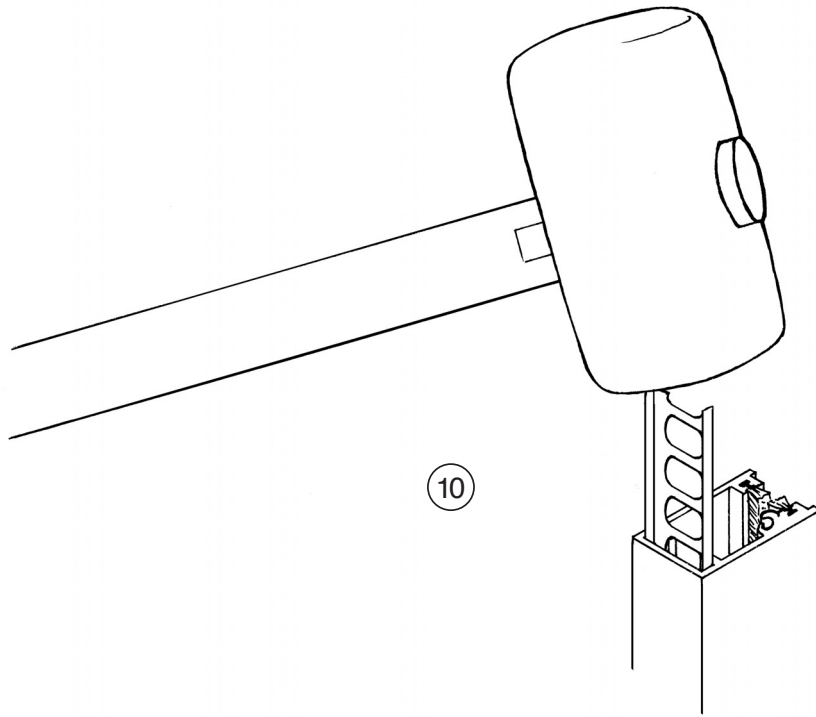
4



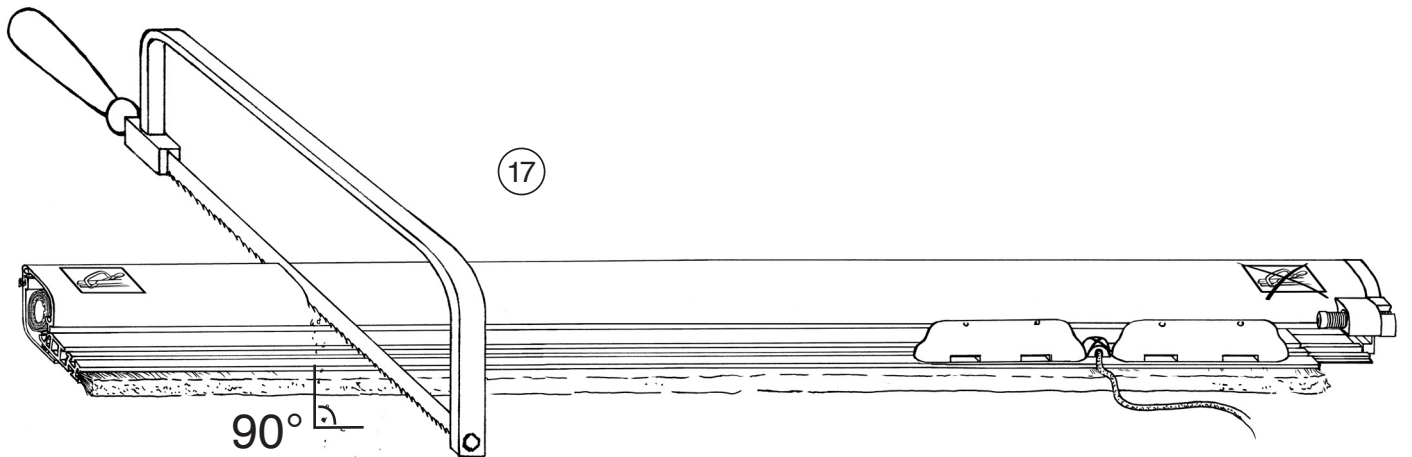
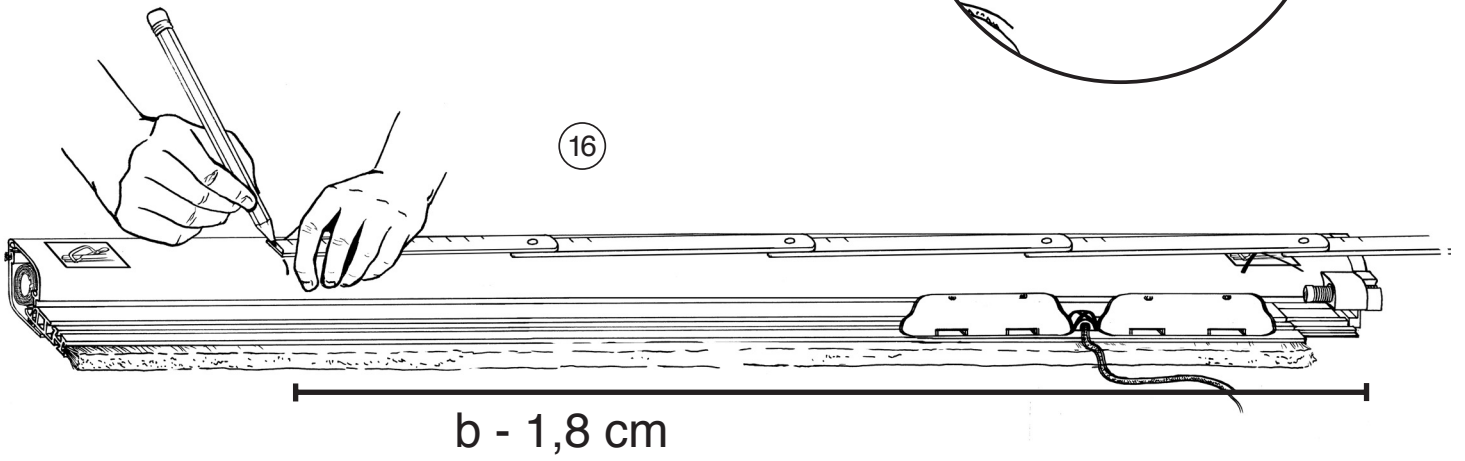
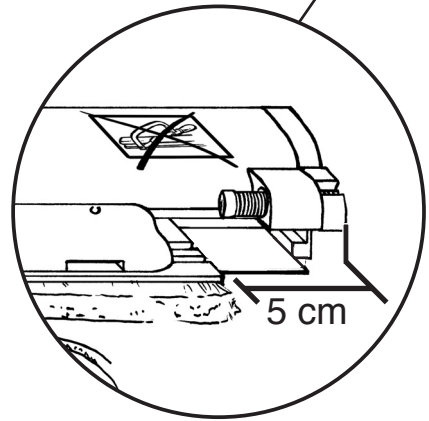
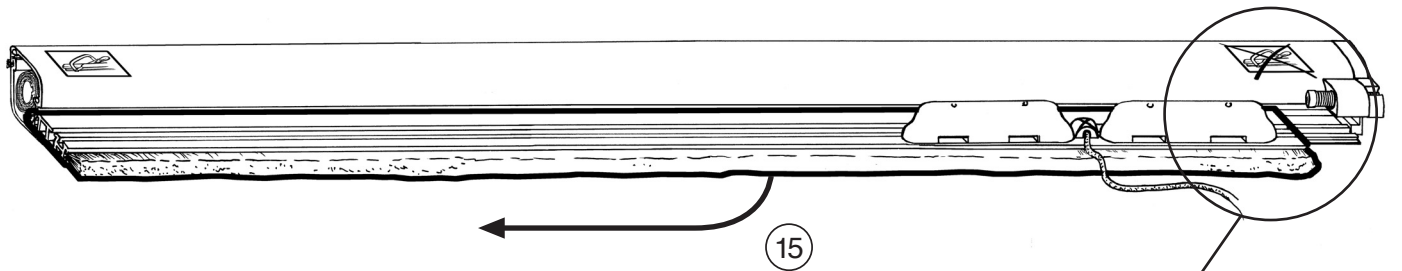
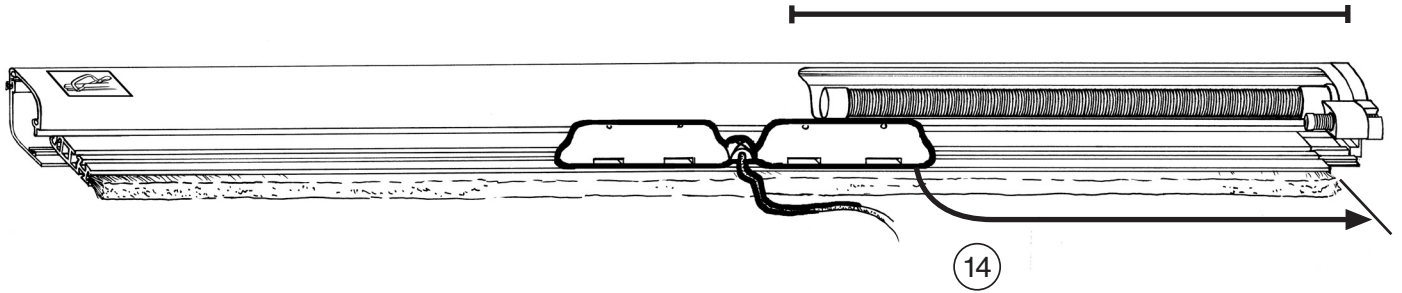
5

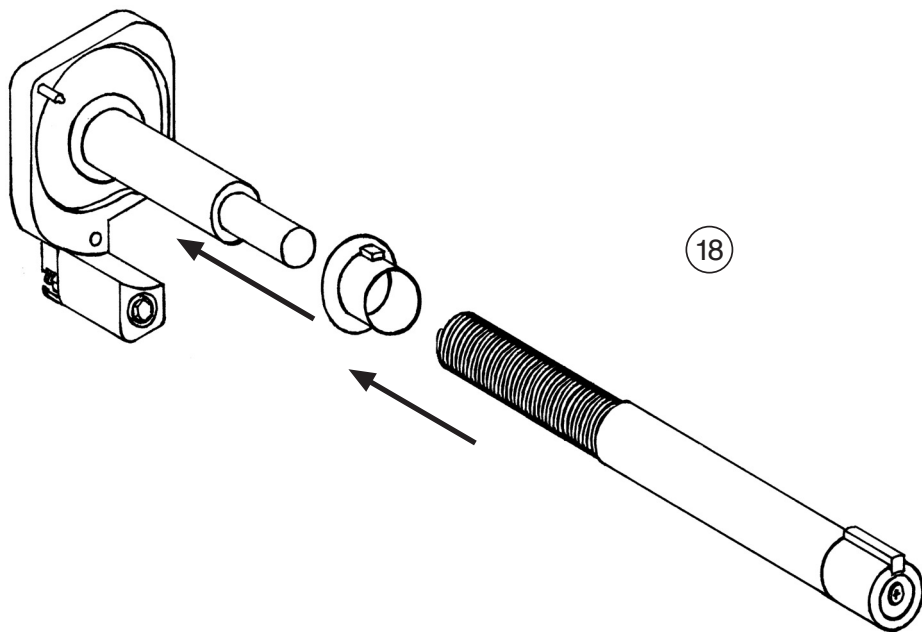
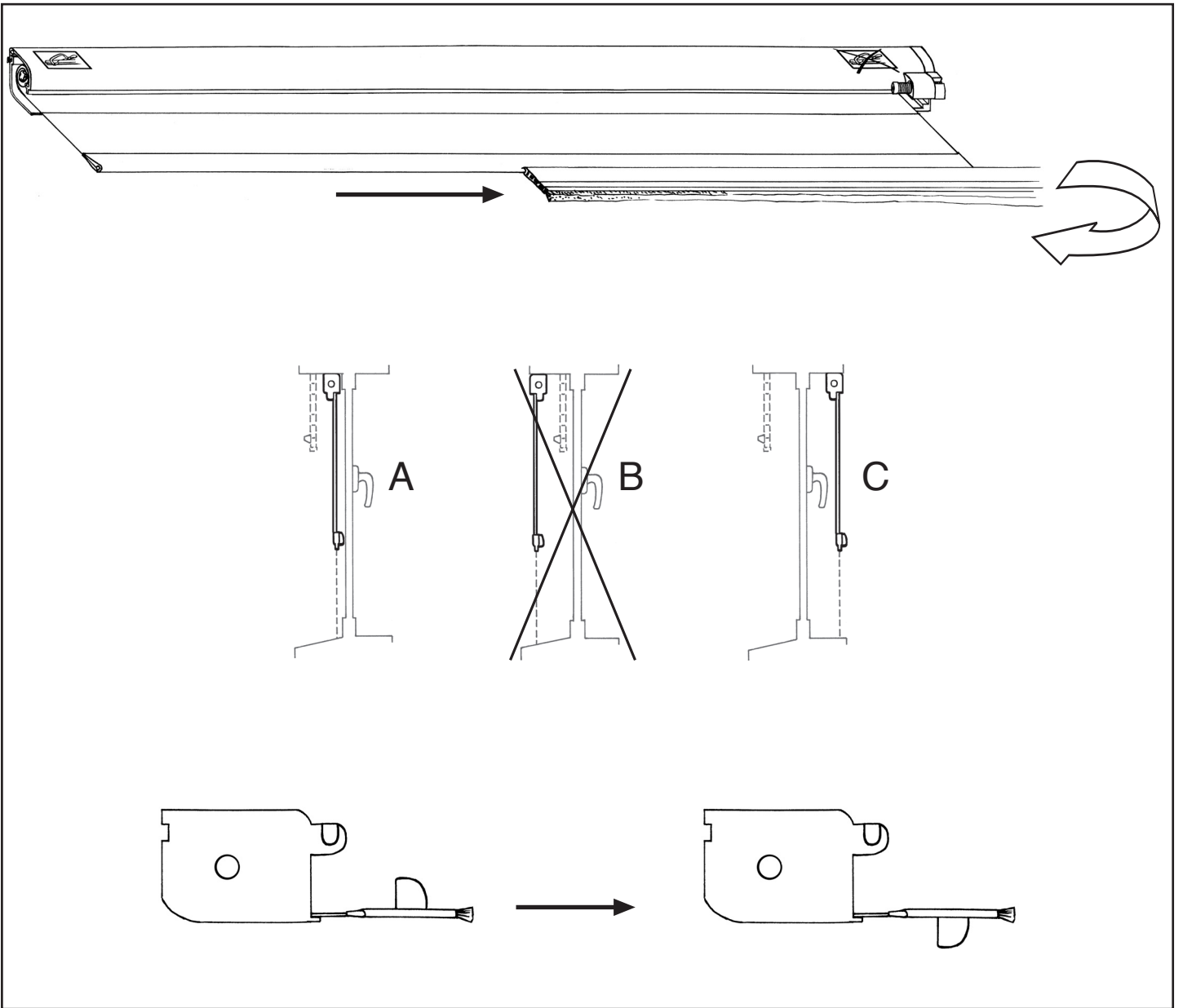


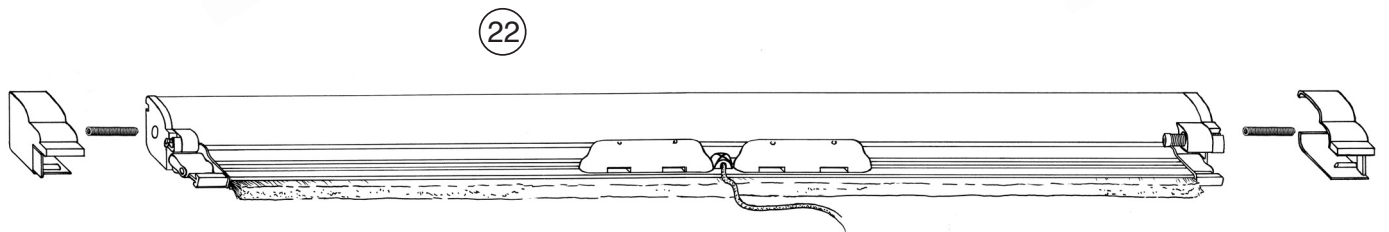
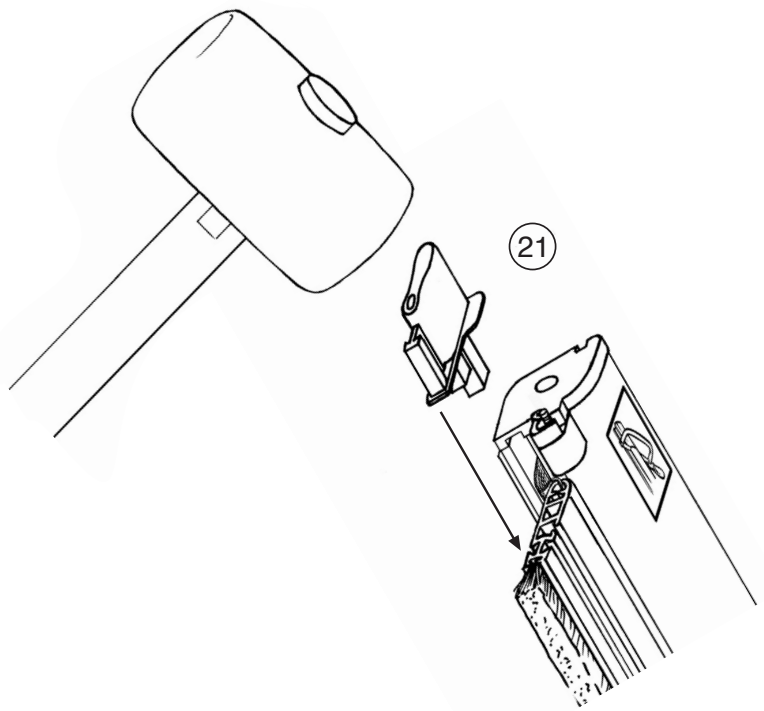
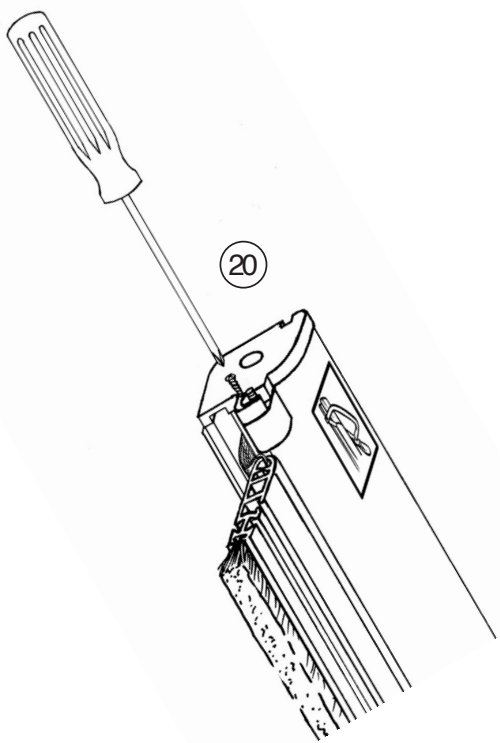
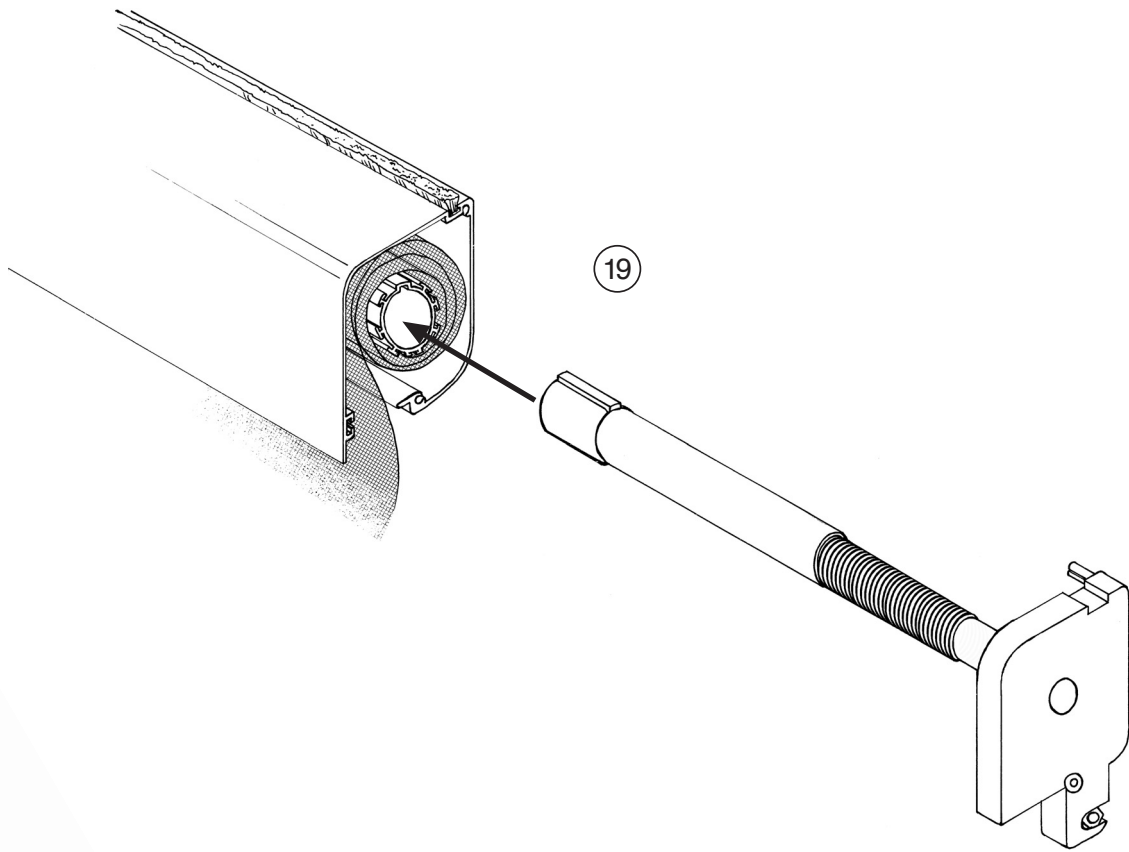




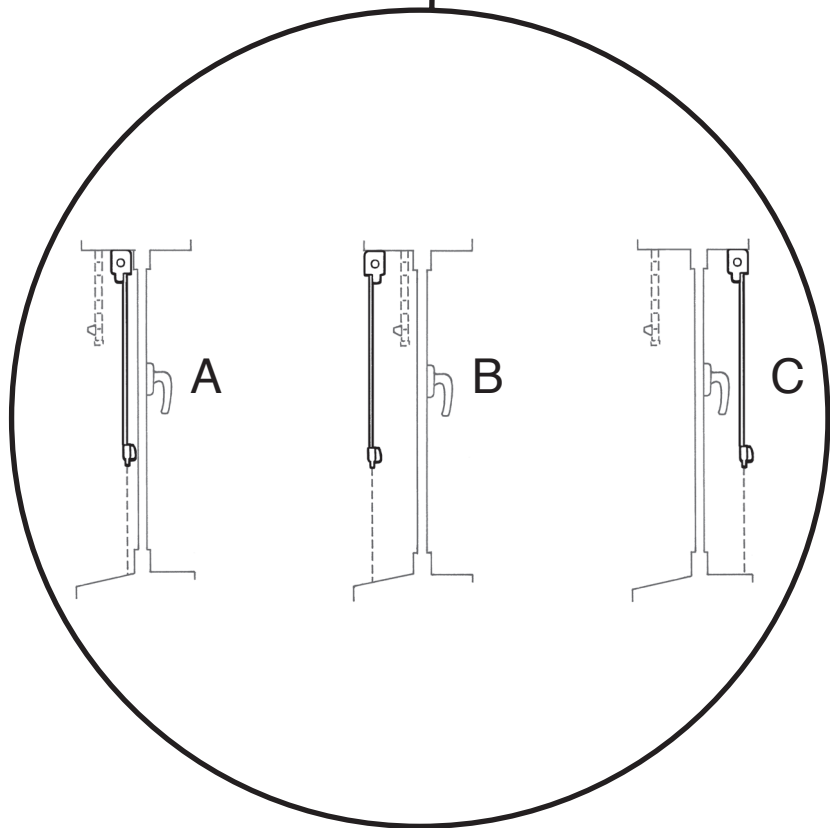
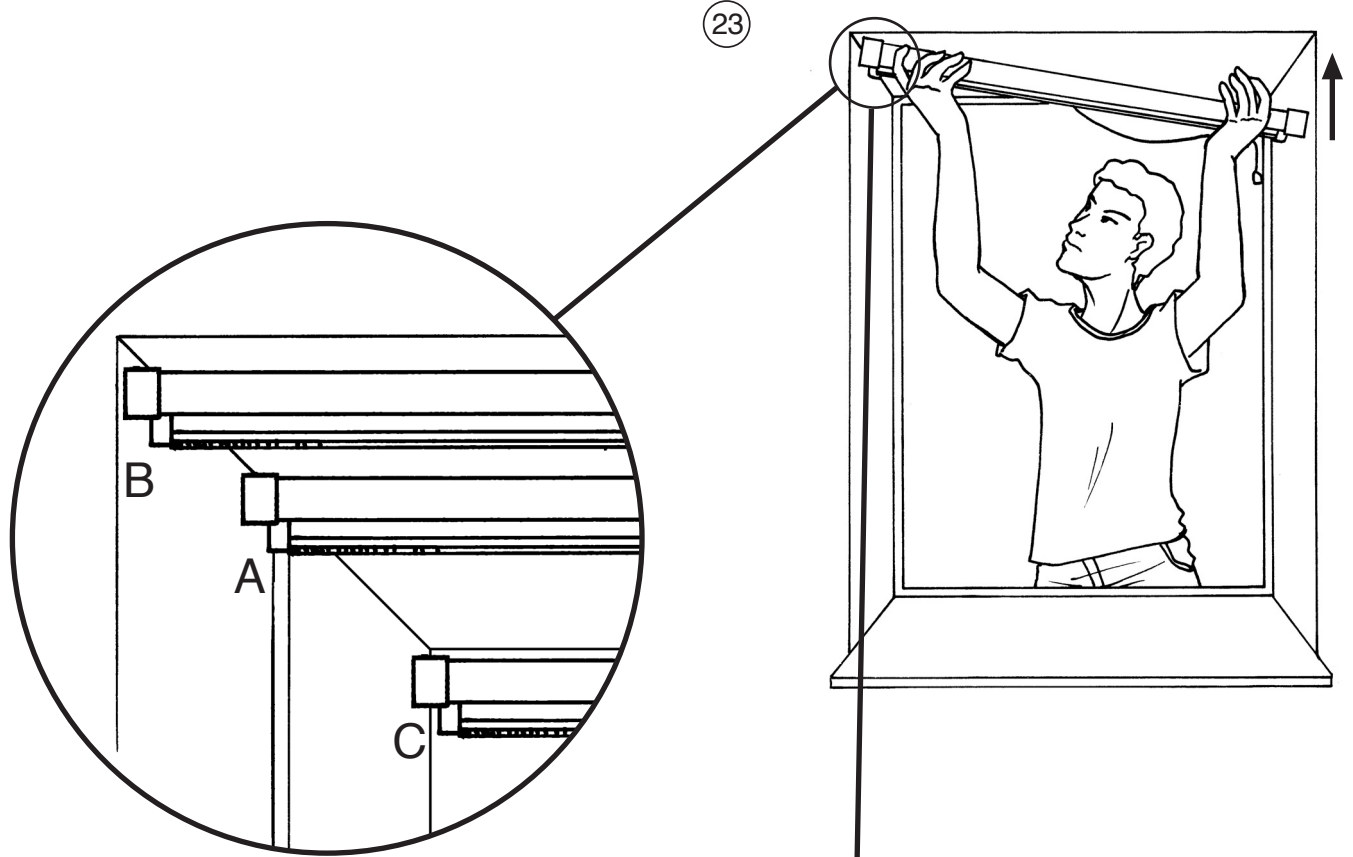
min 62 cm



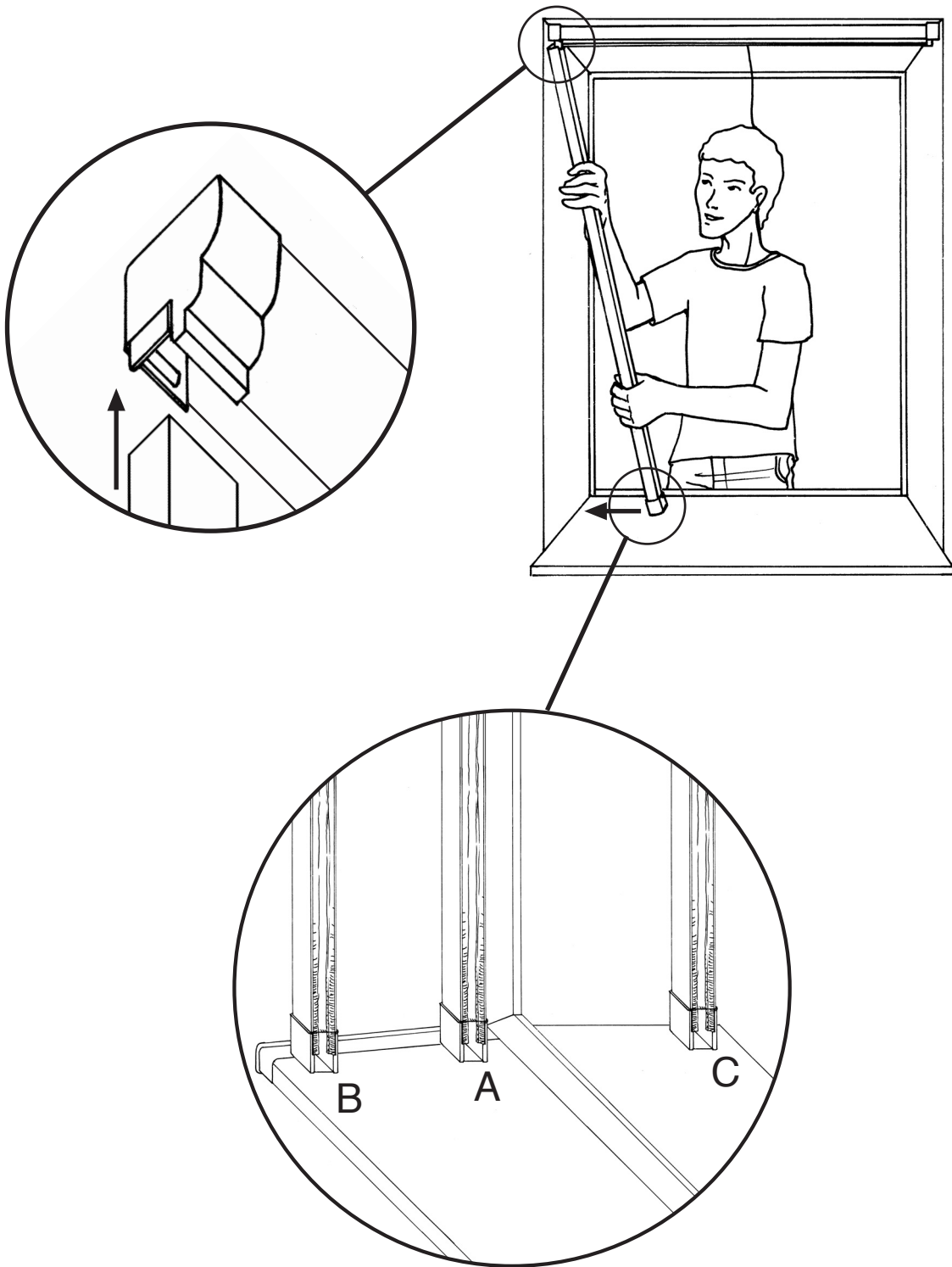


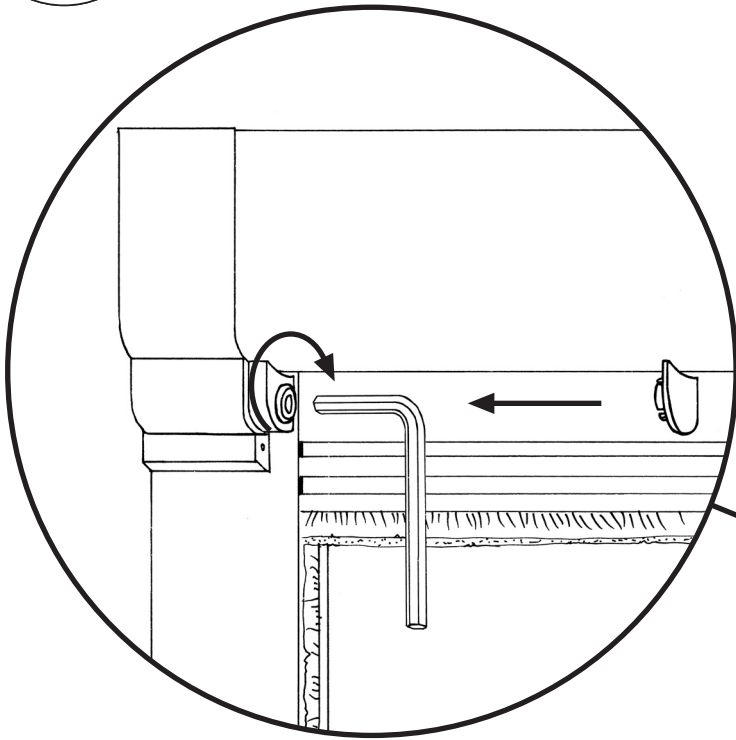


23



24





25

